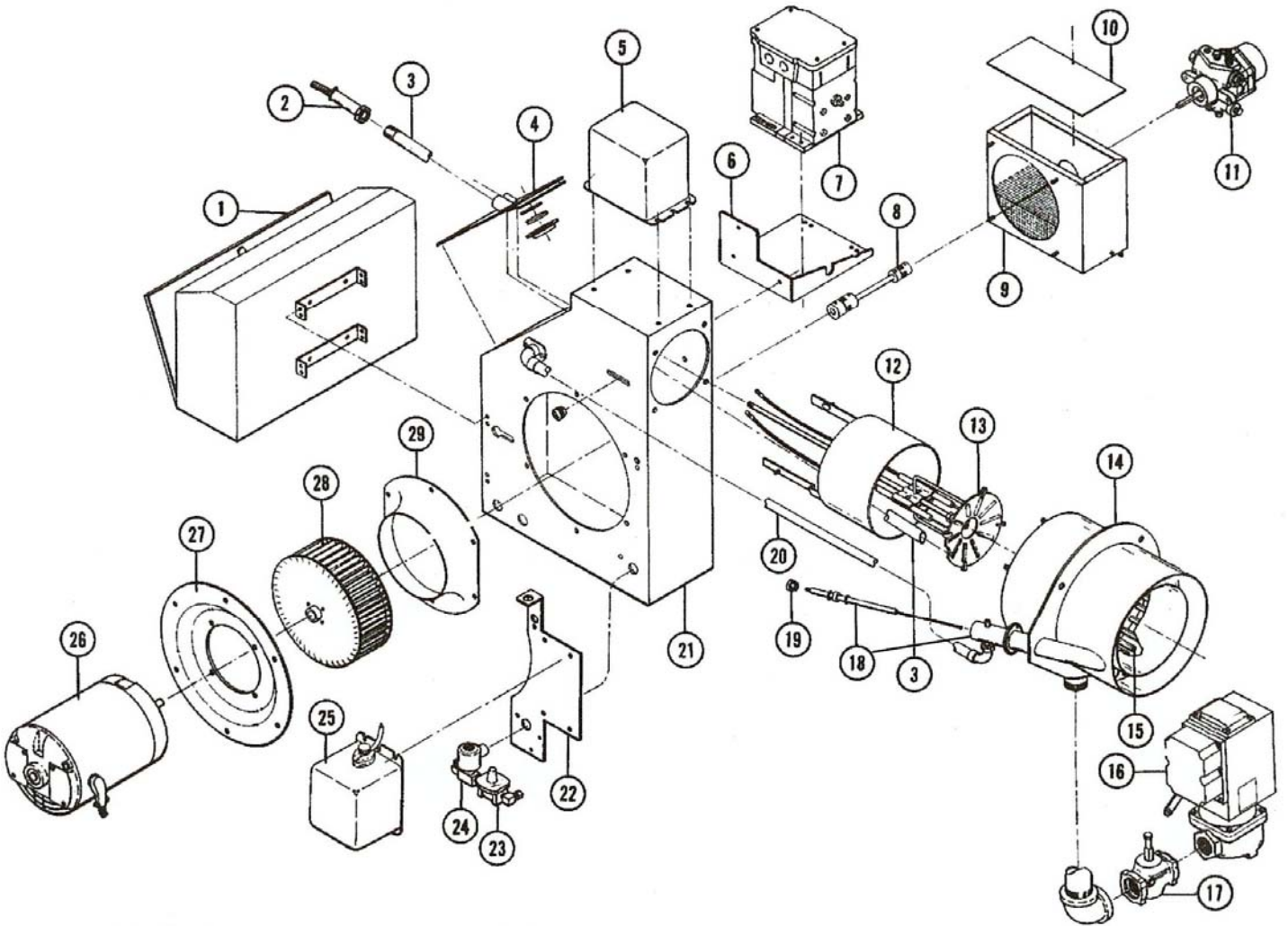


TYPICAL S6, S7 or S8 GAS-OIL BURNER

This breakdown may be used to help identify parts on your burner. However, since GP burners were "built to order" based on the application, the order entry form and material list may be required to identify certain parts.



Cici Boiler Rooms, Inc.
Toll-Free Phone: 1-800-848-8197
www.gordonpiattparts.com

TYPICAL S6, S7 or S8 GAS-OIL BURNER

This breakdown may be used to help identify parts on your burner. However, since GP burners were "built to order" based on the application, the order entry form and material list may be required to identify certain parts.

#	Description	Gordon-Piatt Part Number or Details
1	Control Cabinet	C
2	Flame Detector	A
3	Flame Detector Tube	C
4	Back Plate Assembly	C
5	Oil Ignition Transformer (if used)	A
6	Modulating Motor Bracket	B
7	Modulating Motor	A - Part number should be located on the modulating motor
8	Oil Pump Coupling	A - Need part number, or end piece casting numbers and dimensions
9	Air Inlet Assembly	B
10	Air Inlet Box Cover	B
11	Oil Pump	A
12	Primary Air Cylinder	B
13	Oil Drawer Assembly	A
	Air Diffuser	NA - We do not have drawings or tooling to produce more air diffusers
	Oil Nozzle	A
	Oil Nozzle Adapter	A
	Oil Ignition Electrodes (if used)	A
	Main Fuel Tube	C
	Ignition Cables for Oil (if used)	A
14	Combustion Head	A - Many combustion heads have a sticker with the 10 digit part number
15	Gas Orifices	A - The orifice part number and drill size are located on the order entry & material list
16	Automatic Gas Valve	A
17	Leak Test Valve	A
18	Gas Pilot Assembly	A - The most common ones are online at http://gordonpiattparts.com/parts_burners_gp_pilots.htm
19	Packing Nut	230032-0000 - Included with the purchase of an electrode
20	Pilot Air Tube	C
21	Burner Housing	B
22	Transformer Mounting Bracket	B
23	Pilot Gas Pressure Regulator	A
24	Pilot Solenoid Valve	A
25	Pilot Ignition Transformer	A
26	Blower Motor	A - Need part number, or motor info (HP, voltage, frame, ect)
27	Motor Mounting Plate	B
28	Blower Wheel	A - Need p/n or dimensions. Pictures online at http://gordonpiattparts.com/parts_burners_gp_wheels.htm
29	Air Inlet Cone	B

Legend:

A - Part varies depending on application.

* See the order entry form and material list that was shipped with the burner

* Check to see if part number is listed on the part itself

* Go to www.gordonpiattparts.com and look in the replacement parts section for a part that matches the one you have

B - Part can be fabricated, but a sample part or detailed dimensions may be required

C - Call for more information

NA - Part is not available