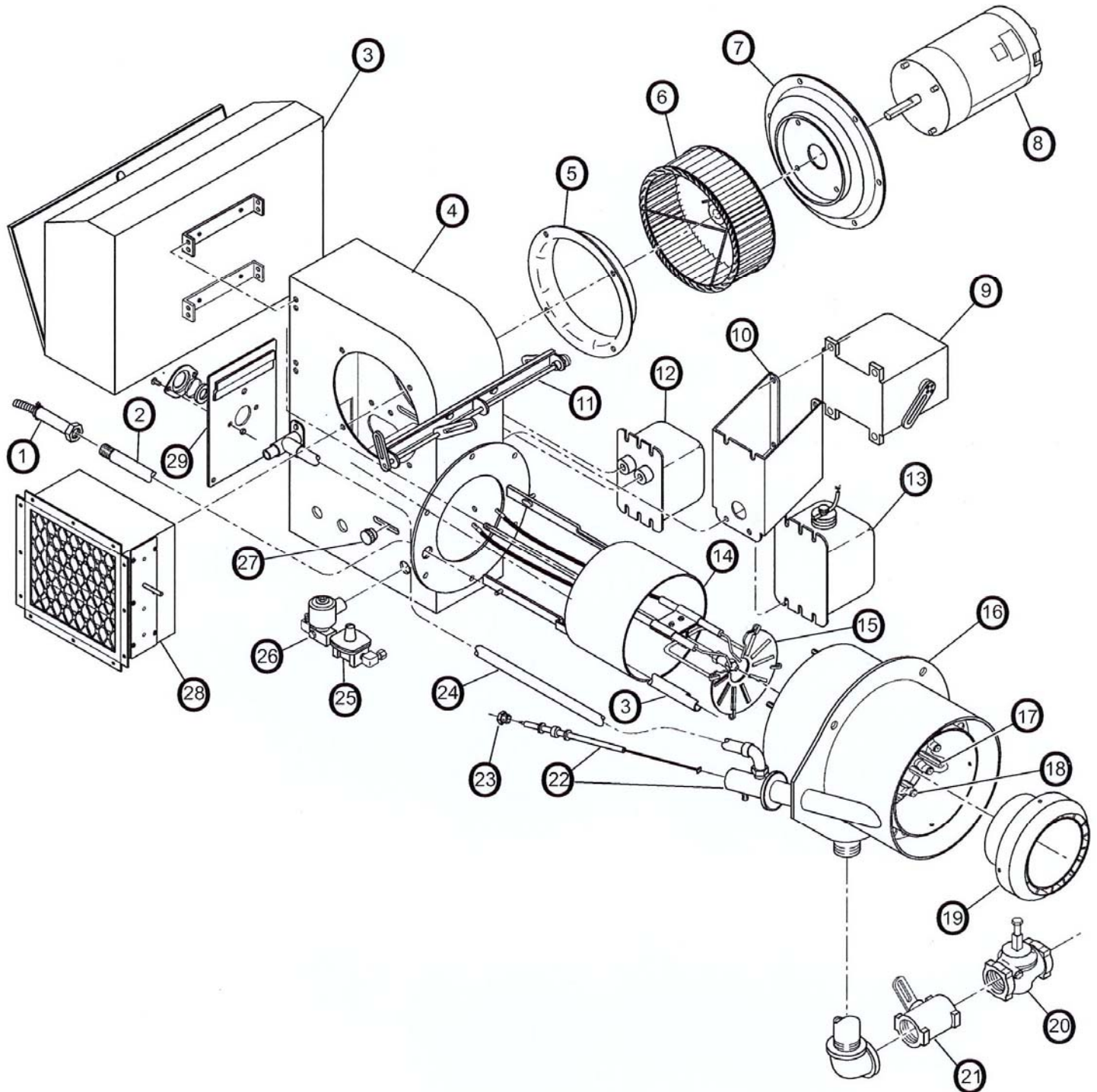


TYPICAL R10 or R12 GAS-OIL BURNER

This breakdown may be used to help identify parts on your burner. However, since GP burners were "built to order" based on the application, the order entry form and material list may be required to identify certain parts.



TYPICAL R10 or R12 GAS-OIL BURNER

This breakdown may be used to help identify parts on your burner. However, since GP burners were "built to order" based on the application, the order entry form and material list may be required to identify certain parts.

#	Description	Gordon-Piatt Part Number or Details
1	Flame Detector	A
2	Flame Detector Tube	C
3	Control Cabinet	C
4	Burner Housing	C
5	Air Inlet Cone	C
6	Blower Wheel	A - Need p/n or dimensions. Pictures online at http://gordonpiattparts.com/parts_burners_gp_wheels.htm
7	Motor Mounting Plate	C
8	Blower Motor	A - Need part number, or motor info (HP, voltage, frame, etc)
9	Modulating Motor	A - Part number should be located on the modulating motor
10	Modulating Motor Bracket	B
11	Linkage Control Jackshaft	A, B – Material list or dimensions may be required
12	Oil Ignition Transformer (if used)	A
13	Gas Pilot Ignition Transformer	A
14	Primary Air Cylinder	B
15	Oil Drawer Assembly	A
	Air Diffuser	NA – We do not have drawings or tooling to produce more air diffusers
	Oil Nozzle	A
	Oil Nozzle Adapter	A
	Oil Ignition Electrodes (if used)	A
	Main Fuel Tube	C
	Ignition Cables for Oil (if used)	A
16	Combustion Head	A – Many combustion heads have a sticker with the 10 digit part number
17	Primary Gas Orifices	A – The orifice part number and drill size are located on the order entry & material list
18	Secondary Gas Orifices (if used)	A – The orifice part number and drill size are located on the order entry & material list
19	Swirler	A, B – Material list or dimensions may be required
20	Leak Test Valve	A
21	Butterfly Gas Valve	A – The most common ones are online at http://gordonpiattparts.com/parts_burners_gp_gas-valves.htm
22	Gas Pilot Assembly	A – The most common ones are online at http://gordonpiattparts.com/parts_burners_gp_pilots.htm
23	Packing Nut	230032-0000 - Included with the purchase of an electrode
24	Pilot Air Tube	C
25	Pilot Gas Pressure Regulator	A
26	Pilot Solenoid Valve	A
27	Primary Air Positioning Knob	C
28	Air Inlet Assembly	B
29	Back Plate Assembly	C

Legend:

A – Part varies depending on application.

* See the order entry form and material list that was shipped with the burner

* Check to see if part number is listed on the part itself

* Go to www.gordonpiattparts.com and look in the replacement parts section for a part that matches the one you have

B – Part can be fabricated, but a sample part or detailed dimensions may be required

C – Call for more information

NA – Part is not available